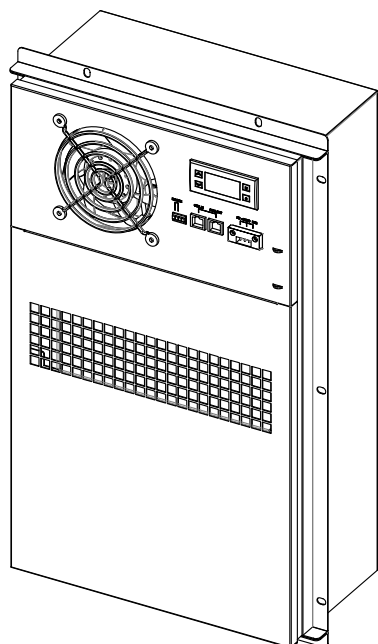


# Outdoor Cabinet DC Air Conditioner-S Series

Ver. B



VDC POWER CABINET



48V DC COOLING UNIT



LOW ENERGY CONSUMPT

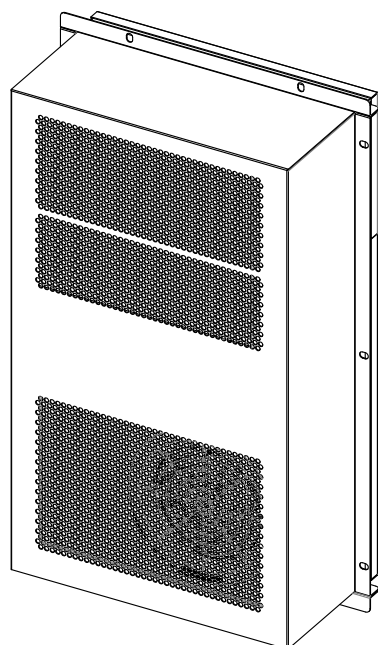
## Product Introduction

### Range of application

- This series product can be widely used in enclosed area for climate control, such as wireless communication cabinet, battery cabinet, industry control cabinet etc;

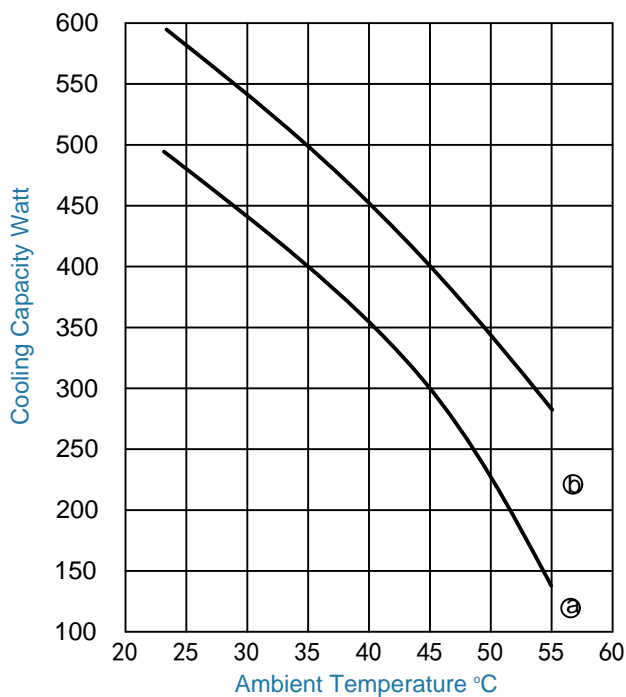
### Product Design Featur

- Designed with all DC driven components like fans, compressor;
- Precise temperature control through inverter digital regulation of compressor, fans;
- Power supply voltage range: DC44~59 Volt
- A comprehensive self-protection design to realize partial load starting, partial load operation at severe ambient condition;
- Low power consumption design with EER $\geq$ 3.5, SEER $\geq$  5.5;
- Energy saving reach to 50% comparing with A.C. VAC version product;
- IP55 environment protection & fit for T3 high temperature working condition by using of R134a refrigerant gas;
- The best cooling solution for solar, wind, diesel generator etc, hybrid power system;
- Strict process control and international brand parts deployed to ensure high quality and reliability of this product;
- Multiple self protection design;
- LED Display, all the settings can be changed at the field;
- Dry contact alarm output, NO/NC optional;
- Equipped with communication interface: RS485.



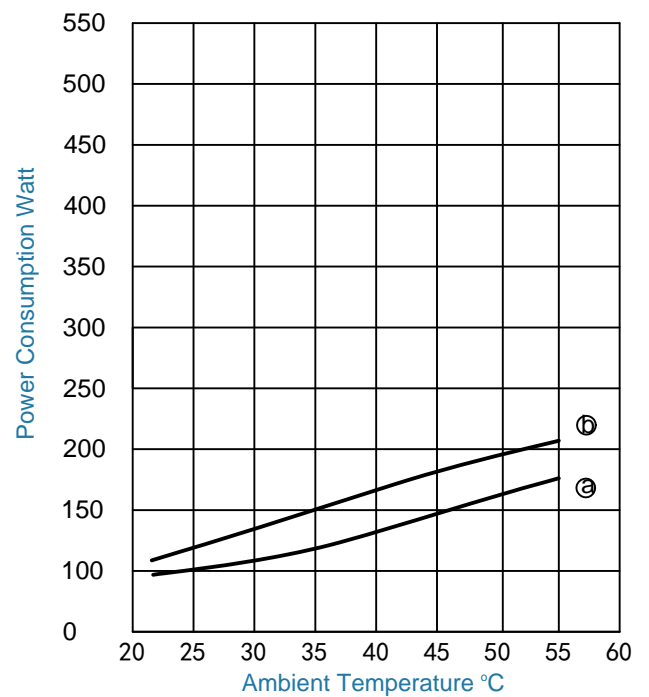
Intelligent Energy Saving Outdoor Cabinet DC Air-Conditioner	Name	Intelligent Outdoor Cabinet DC Air-Conditioner
	Model	VDC-H-RUC-A-004/N/E/D
	Mounting Method	Semi-embedded mounting/installation
	Power Supply	-48VDC
	Cooling Capacity	500W@L35/L35
	Power Consumption	150W@L35/L35
	Cooling Capacity	280W@L35/L55
	Power Consumption	210W@L35/L55
	Internal Airflow	150m <sup>3</sup> /h
	Working Temperature Range	-40°C ~ +55°C (T3)
	Max Noise Level	55dB(A)
	IP Grade	IP55
	Net Weight	20kg
	Refrigerant	R134a
	Dimensions	550x319x175(mm,HxWxD)
	CE&RoHS Compliant	YES
Surface Treatment	Outdoor type powder coating,standard color: RAL7035	

### Cooling Capacity Chart



a-----25°C  
 Cabinet Inside Temperature b-----35°C

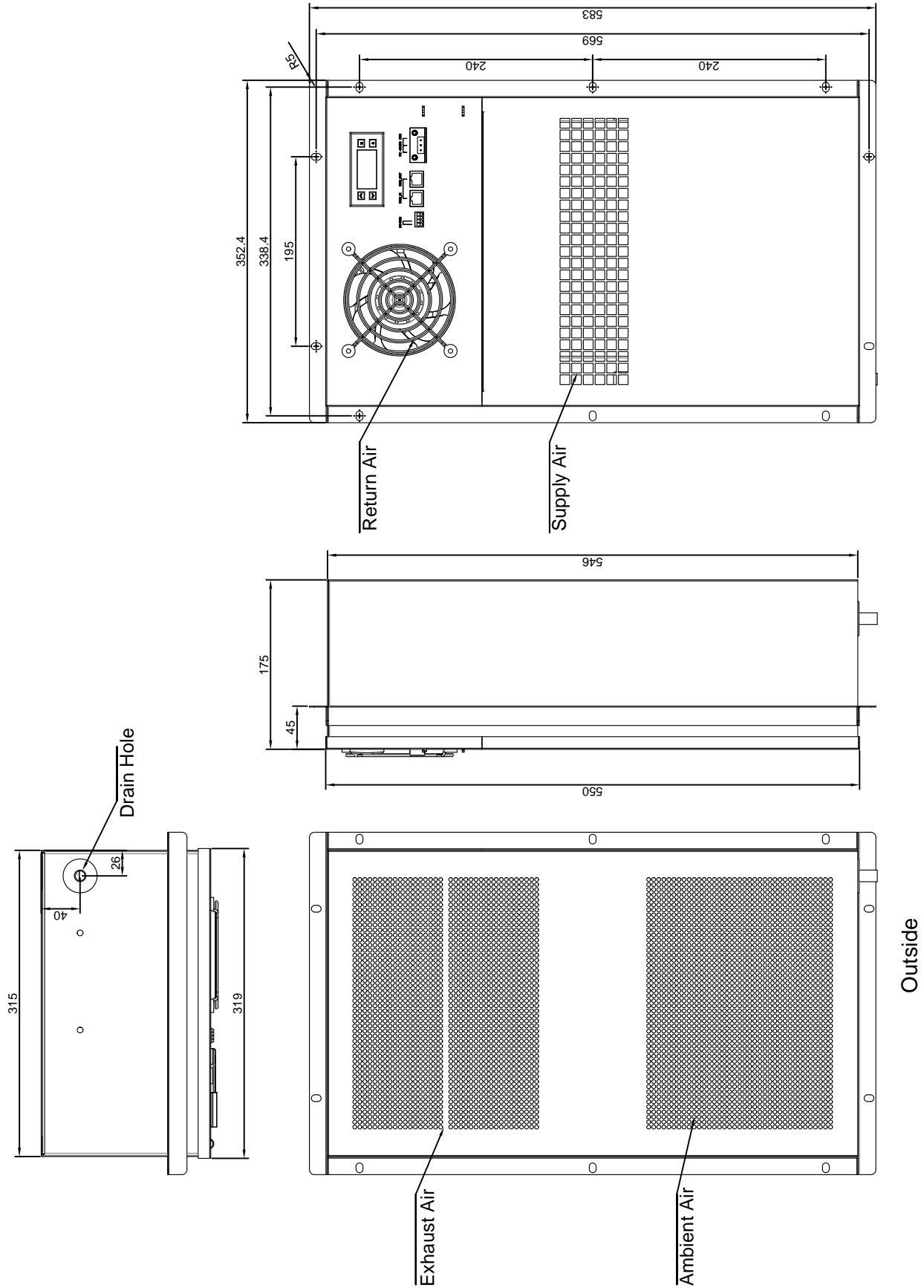
### Power Consumption Chart



a-----25°C  
 Cabinet Inside Temperature b-----35°C

# Product Dimension

Code	Model	Installation
88990	VDC-H-RUC-A-004/N/E/D	Semi-embedded Mounting



Code	Model	Installation
88990	VDC-H-RUC-A-004/N/E/D	Semi-embedded Mounting

Figure 1-Cabinet Door Cutting Dimension

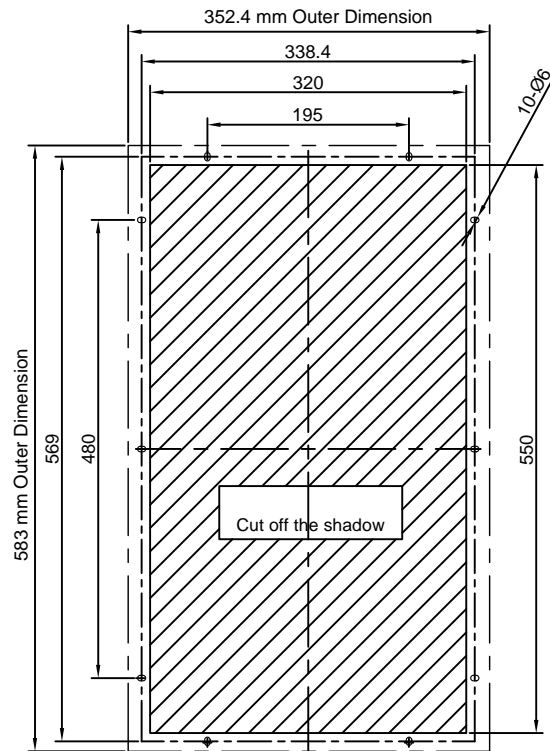
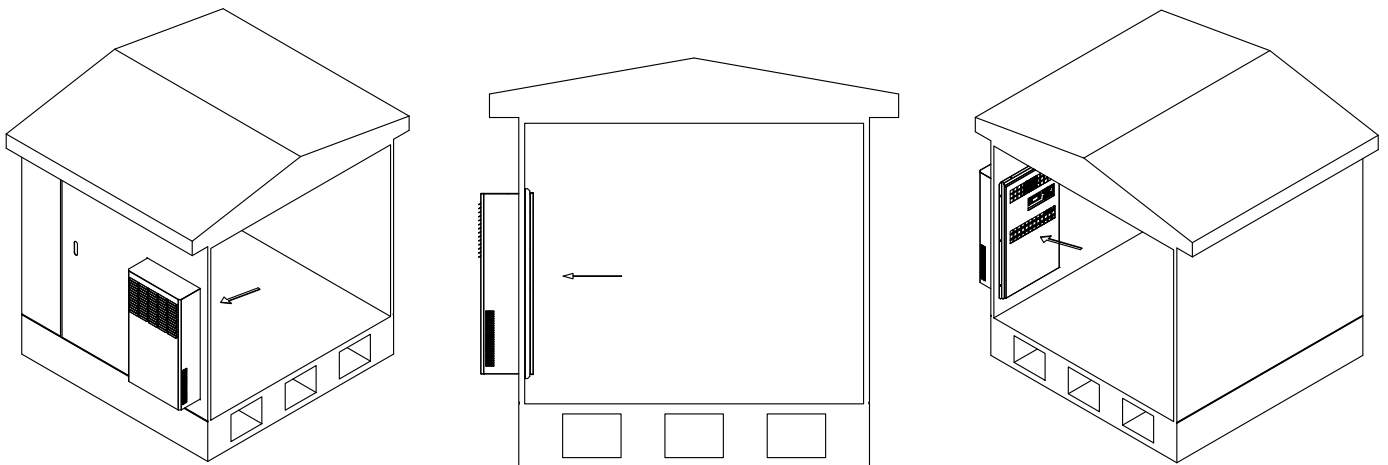
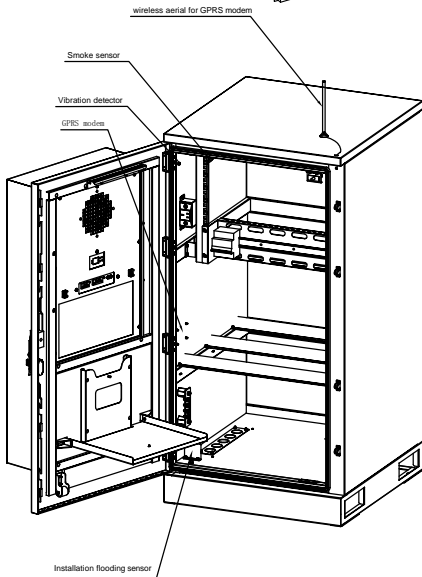
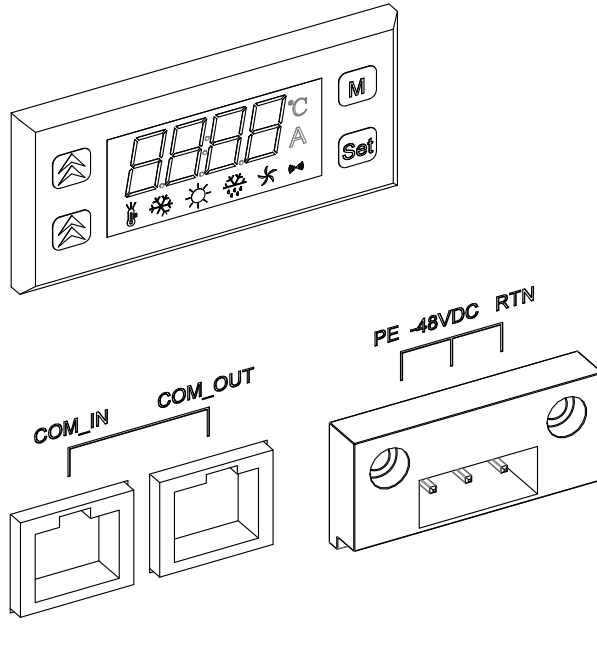


Figure 2-Installation Instruction





Instructions of display panel:

The display panel shows cabinet temperature under normal circumstance. and shows alarm code when there is a malfunction.

In the bottom is the status bar, different lamp represents different status.

- : Flashing when self diagnosis or temperature setting mode.
- : Lamp on when cooling;
- : Lamp on when external fan is running;
- : Flashing when alarm.

Symbol	Defination
RTN	Positive pole of DC power
-48VDC	Negative pole of DC power
GND	Ground wire of DC power
NC/COM	Dry contract alarm output
COM_IN	RS485 communication
COM_OUT	RS485 communication